



Rear Panel



Front Panel

Preliminary Technical Information

- 35 Watts per channel at 8Ω (3 channels)
- 50 Watts per channel at 8Ω (2 channels)
- IR learning for volume control via TV remote
- Bluetooth® connectivity
- Dolby Digital® decoding
- 8" H x 4" W x 1.125" D

Description

The SB335 is a versatile, small, class D amplifier engineered for use in localized audio applications. Designed for use with SoundTube speakers, other high-fidelity speakers and passive soundbars, the SB335 provides 50 watts per channel into 8 ohms (2 channel operation) or 35 watts per channel into 8 ohms (3 channel operation). Digital and analog inputs are provided, enabling direct connection from most TVs or monitors. Bluetooth® streaming functionality is also featured as a signal option. In addition to the speaker outputs, the SB335 includes a line level subwoofer output. Dolby Digital® decoding is also provided. The SB335 may be controlled via RS232 and will learn IR codes for volume control.

Applications

The SB335 is ideal for digital signage, allowing localized amplification of speakers associated with a digital signage display. It is also useful for educational video carts and videoconferencing rollabout carts. The unit's three channel capability and full-range frequency response makes it ideal for powering passive high-quality soundbars such as the Teatro TSB3.0 from SoundTube's sister company Phase Technology.

Patented Technologies

SoundTube Entertainment and the MSE Audio Group constantly develop new technologies which enhance audio product performance. SoundTube Entertainment innovations are protected by multiple U.S. and international patents, which explicitly cover SoundTube dome, enclosure and dispersion technologies. The MSE Audio Group actively defends its patents in order to protect SoundTube resellers and end-users.

PRELIMINARY SPECIFICATIONS: SB335

System Type	SB335- Multipurpose 2/3 channel, 50 watt/ch @ 8 ohms, class D amplifier.
Amplifier Power	2 Channel- 50 watts RMS/CH >1% THD @ 8 ohms, 55 watts RMS @4 ohms 3 Channel- 35 watts RMS/CH >1% THD @ 8 ohms, 40 watts RMS @ 4 ohms
HP Filter – Switchable	
Overall Response	10 Hz - 20 kHz +0/-5 dB @ 1 watt RMS 8 ohms >.1% THD
Crossover Frequency	High Pass/Low Pass 120 Hz @ 12 dB/octave
Gain	34 dB (8 ohms)
Frequency EQ	+3 dB Switchable at 120 Hz, 2kHz, 8 kHz
Inputs	10K Unbalanced line input stereo analog, Optical digital 2/3 channel, RS232 control, Blue Tooth, External IR
Maximum Input Sensitivity	400 mV for full output
THD+ Noise	>.1% below rated output powers
S/N	Better than 84 dB unweighted
Input Impedance	10K unbalanced
Protection Features	Amplifier-Soft Clipping, Short Circuit/Overload, Thermal overload protection. Power Supply- Thermal protection, Over current protection, Shout circuit protection.
Front Panel Indicators	Power/Standby/Mode/Status
Learning Remote Controllable	On/Off, Volume Up/Down, Mute – IR/RS-232
Height	32.0 mm (1.25 in.)
Width	100.0 mm (3.9 in.)
Depth	184.0 mm (7.25 in.)
Weight - amp only	.422 kg (0.93 lbs)
Packaging	One per box
Regulatory - UL	UL 60065 Listed
ETL-C/US	Approved
CCC	Approved
FCC	Approved
Regulatory - CE	Approved
RoHS	Approved



Architectural Specifications

The amplifier shall be a small, class D amplifier offering 2 channel or 3 channel operation. It shall provide 50 watts per channel into 8 ohms in 2 channel mode or 35 watts per channel into 8 ohms in 3 channel mode. The amplifier shall have a crossover frequency (high pass/low pass) of 120 Hz at 12 dB/octave. Frequency response shall be 10 Hz to 20 kHz +/- 0.5 dB at 1 watt RMS with less than .1% total harmonic distortion. A +3 dB switchable EQ shall be provided at 120 Hz, 2 kHz and 8 kHz.

Inputs to the device shall include analog connection via Euroblock, unbalanced analog via mini connector or optical connector. Inputs shall also be permitted via Bluetooth® enabled devices. Outputs to speakers shall be made via Euroblock connector. A subwoofer line level output shall be provided via RCA connector.

A separate Infrared (IR) receiver shall be included which shall connect directly to the amplifier. Infrared learning functions shall include volume up, volume down and mute to permit control via a television or other remote.

Dolby Digital® decoding shall be available.

The amplifier shall measure 8" x 4" x 1.125" and shall weigh 0.9 lb. The amplifier chassis shall be constructed of steel with a powder coat finish. It shall be powered via an external supply providing 32 volts DC at 3.75 amps with input voltage of 100-240 VAC, 50/60 Hz.

The SoundTube SB335 is specified.

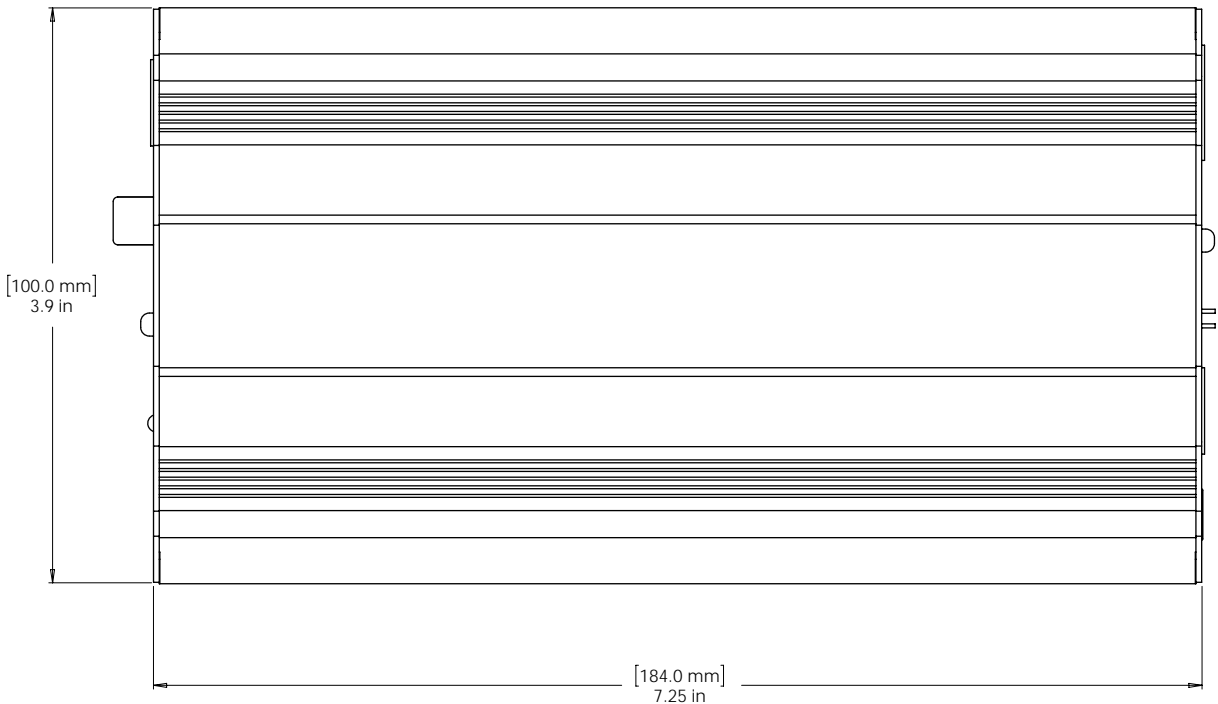
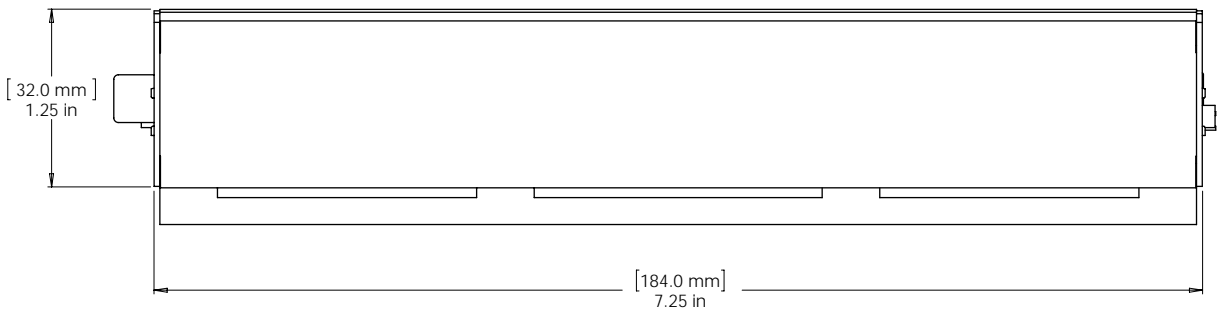
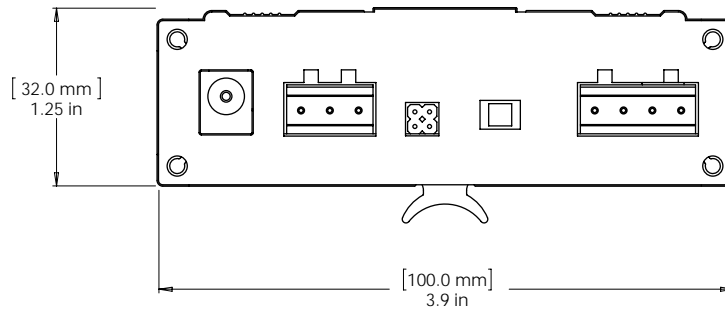
SoundTube Entertainment

6430 North Business Park Loop
Park City, Utah 84098
Phone 435.647.9555
Fax 435.647.9666
Toll Free 800.647.TUBE
www.soundtube.com

All SoundTube products come
with a 5-year limited warranty.



Mechanical Drawings



SoundTube Entertainment manufactures a complete line of speakers for:
Open-Ceiling • In-Ceiling • Surface-Mount • Outdoor • Sound-Focusing

All SoundTube products are designed and engineered in the USA.