



## RS1201i-SuperT PRODUCT SPECIFICATIONS

System Type	12" pendant, ported subwoofer
Impedance (Nominal) <sup>1</sup>	4 Ω
Sensitivity dB @ 2.83 V / 1 M	92 dB
Sensitivity dB @ 1 W / 1 M <sup>2</sup>	90 dB
Frequency Response (±3 dB) <sup>3</sup>	39 Hz - 200 Hz
Frequency Response (±10 dB) <sup>3</sup>	32 Hz - 200 Hz
Max. Program Power <sup>4</sup>	300 W
Max. Continuous Power RMS <sup>5</sup>	150 W
Max. SPL dB @ 1 M <sup>6</sup>	113 dB
Tap Selector	Two-position rotary switch
Transducer: Low-Frequency Driver	305 mm (12") treated fiber cone, treated cloth surround
Low-Frequency Voice Coil	50.8 mm   2"
Enclosure Alignment	Ported
Port Area (Total)	9677.4 sq mm   15 sq in
Port Length	330.2 mm   13"
Tuning Frequency	40 Hz
Enclosure Material	Injection molded ABS
Grille	Steel with powder-coat finish
Inputs	4-pin, 5.08 mm Euroblock
Colors	Black or white (paintable)
Height	579.1 mm   22.8"
Diameter	528.3 mm   20.8"
Weight	15.9 kg   35 lbs
Packaging	One per box
Included Accessories	Hanging hardware, Euroblock connector, and terminal weather boot, main and safety cables w/ SpeedClamp™
Optional Accessories	Surface-mount bracket (AC-HP-SM1290)
Certifications	CE, RoHS

## Description

The RS1201i-SuperT™ is a 12" open-ceiling or surface-mount subwoofer tuned for maximum output and performance across the operating bandwidth. By incorporating a 12" treated fiber cone woofer and a treated cloth surround in a tuned and ported enclosure, this speaker delivers maximum low frequency response (32 Hz – 200 Hz, ±10 dB, independently verified) and high SPL (113 dB). Mounting hardware includes high-quality UL listed cables and integrated SpeedClamp™ self-locking wire clamp for fast, easy and secure installation. For easy ordering, stocking and installation, the RS1201i-SuperT includes a two-position tap switch for 70.7 and 100 V and 4 Ω applications.

## Features

- One 12" (305 mm) treated fiber cone woofer and a treated cloth surround.
- Baffle-mounted, flared and tuned ports for maximum efficiency and frequency response.
- High-output (113 dB) and maximum efficiency with an accentuated 70 Hz peak to maximize listener's low-frequency experience.
- 150 W, low insertion-loss transformer with an easy-access, two-position tap switch for 70.7, 100 V and 4 Ω applications.
- Weatherized components including powder-coated steel grille, hanging hardware and a durable ABS enclosure for indoor/outdoor applications.
- Includes UL listed hanging hardware with high-quality cables and integrated SpeedClamp™ self-locking wire clamp for fast, easy and secure installation.
- High-quality black or white painted finish.
- Included accessories: hanging hardware, Euroblock connector, terminal weather boot.
- Optional accessories: surface-mount bracket (AC-HP-SM1290).

<sup>1</sup> Impedance listed per IE 60268-5

<sup>2</sup> 1 W / 1 M sensitivity determined used nominal impedance

<sup>3</sup> Frequency response measured in half or full space as dictated by speaker mounting configuration

<sup>4</sup> Max program power is 3 dB above max continuous power

<sup>5</sup> Continuous power rating, EIA-426-B test

<sup>6</sup> Max output based on max continuous power

### Transformer Taps

Transformer Bypass	70.7 V	Setting	100 V	Setting
4 Ω setting	138 W	36 Ω	276 W	36 Ω

### Applications

The RS1201i-SuperT is an indoor/outdoor background to foreground subwoofer for installations where high-quality, true bass response, and rapid installation are critical variables. Aerobic rooms, retail, restaurants, nightclubs, bars, theme parks, arenas, ballrooms, and churches are all ideal fits for the RS1201i-SuperT.

Because overall system design is a critical component of subwoofer integration, SoundTube engineering recommends incorporating a DSP system with an active crossover to maximize subwoofer integration and overall system performance. Tuning the system based on room acoustics and loudspeaker selection will result in smooth response and reduced subwoofer localization. For system engineering assistance, contact SoundTube at [engineering@soundtube.com](mailto:engineering@soundtube.com) or by calling 800-647-8823 (international: +1-435-647-9555).

### Patented Technologies

SoundTube Entertainment and the MSE Audio Group constantly develop new technologies which enhance audio product performance. SoundTube Entertainment innovations are protected by multiple U.S. and international patents, which explicitly cover SoundTube dome, enclosure and dispersion technologies. The MSE Audio Group actively defends its patents in order to protect SoundTube resellers and end-users.

### Technical Data and Specification Tools

SoundTube Entertainment strives to provide complete and effective technical information and data to dealers, engineers and designers. All data is available from SoundTube Entertainment or at [www.soundtube.com](http://www.soundtube.com).

Technical data and downloads include:

- EASE™ data - 3-D polar plots.
- EASE™ Address - 2-D modeling for distributed systems
- AutoDesk® Revit® software
- Tech Sheets - technical information and architectural specs for system engineers
- SoundTubeSPEC™ - Proprietary speaker placement software

### Independent Data Acquisition and Verification

All data for SoundTube speakers is independently collected from and verified by NWA Labs ([www.nwaalabs.com](http://www.nwaalabs.com)) using their proprietary MACH testing system. All data is collected and analyzed according to ASTM, ISO and AES standards using EASERA, TEF and MLSSA. Full balloon data including both phase and magnitude is compiled into a variety of formats including EASE 4.x, GLL and CLF.

### Architectural Specifications

The subwoofer shall consist of a 305 mm (12") low-frequency transducer installed in a ported enclosure. The transducer shall have a treated fiber cone woofer and a treated cloth surround.

Performance specifications of a typical production unit shall be as follows: usable frequency range shall extend from 32 Hz - 200 Hz ( $\pm 10$  dB, independently verified). Maximum continuous output at 1 meter shall be 113 dB. The subwoofer shall be usable at 70.7, and 100 V and 4 Ω with selectable tap settings up to 150 W or transformer bypass position. Rated power capacity shall be at least 150 W continuous (RMS) and conform to EIA-426-B testing.

Installation for the subwoofer shall be by UL listed, galvanized steel cable affixed to the speaker chassis via an integrated hook assembly. For safety redundancy, a secondary cable shall be included and attach to the speaker chassis. The external wiring input connector shall be a four-pin, 5.08 mm Euroblock for 4 Ω or distributed systems and shall accept from 10 - 22-gauge wire. The unit shall be factory preset to 150 W in the 70.7 V operating mode with a tap switch located on the front baffle.

The enclosure shall be constructed of injection-molded, glass-reinforced ABS. The grille shall be constructed of powder-coated steel for lasting performance in the elements. Overall cabinet dimensions shall be no more than 579.1 mm (22.8") in height by 528.3 mm (20.8") in diameter.

The subwoofer shall include hanging hardware, Euroblock connector, and weather-resistant terminal boot.

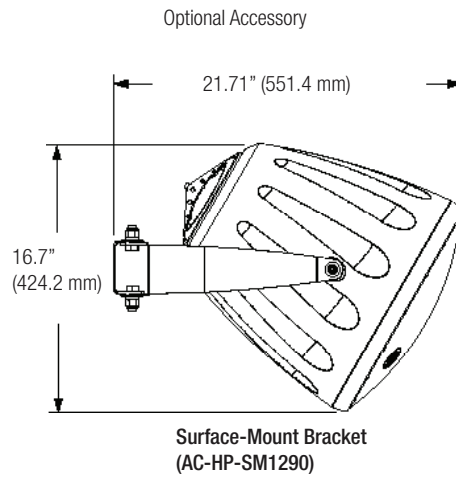
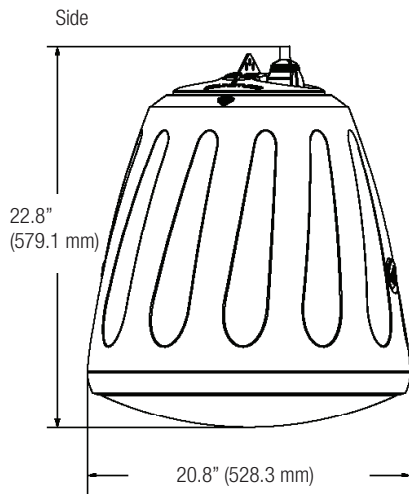
The system shall be the SoundTube RS1201i-SuperT for both low and high impedance applications.

### SoundTube®

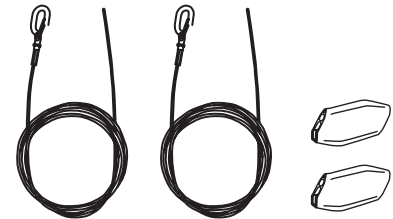
13720 W. 109th St.  
Lenexa, KS 66215  
Phone: 913.663.5600  
Fax: 913.663.3200  
Toll Free: 855.663.5600  
[www.mseaudio.com](http://www.mseaudio.com)

All SoundTube speakers come with a 5-year limited warranty and 3-year warranty on all electronics.

## Mechanical Drawings



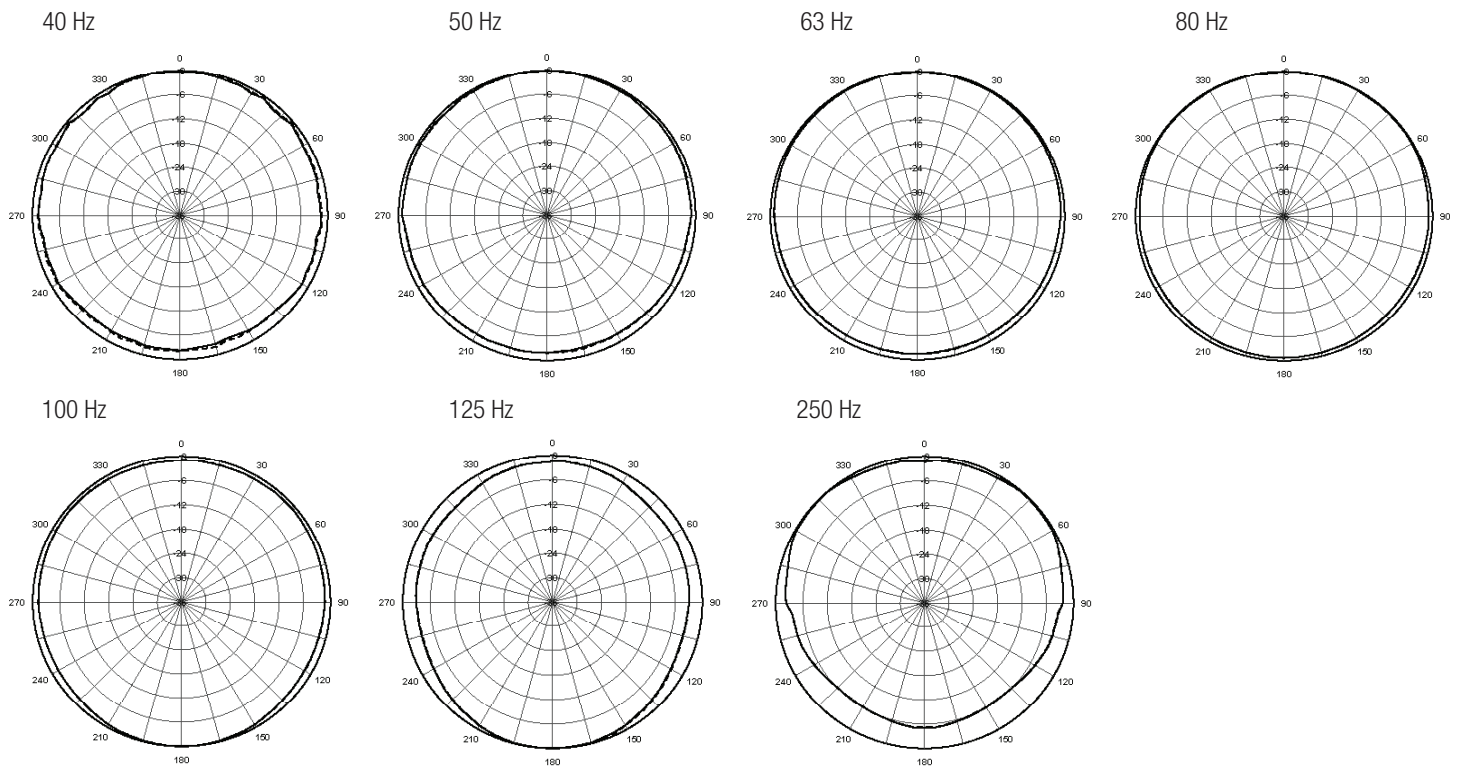
### Included Accessory



### Hanging Hardware: Main and Safety Cables w/ SpeedClamp™

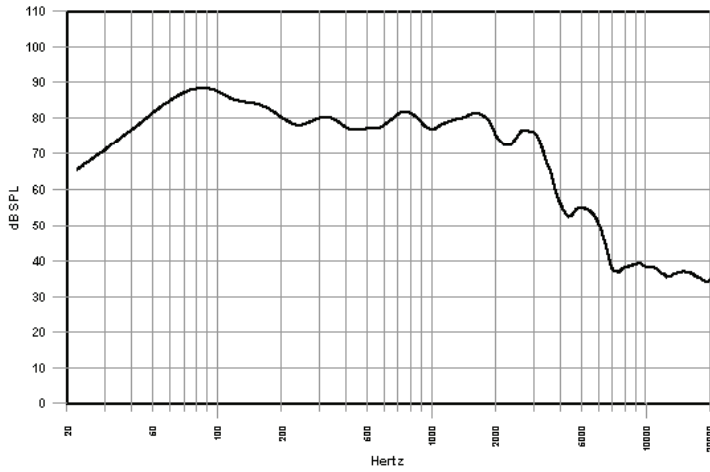
SoundTube's hanging cable kit incorporates hanging and safety cables and fasteners for an integrated and easy-to-install system. Hanging hardware and safety cables are infinitely adjustable to 2.74 m (9 ft).

## Plots

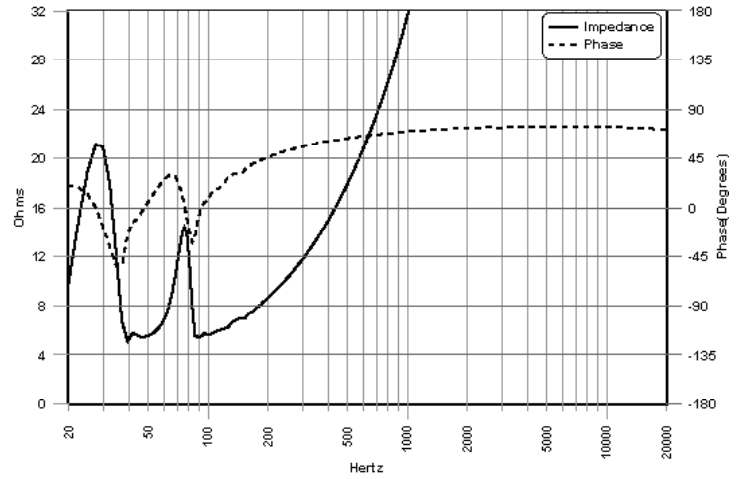


## Graphs

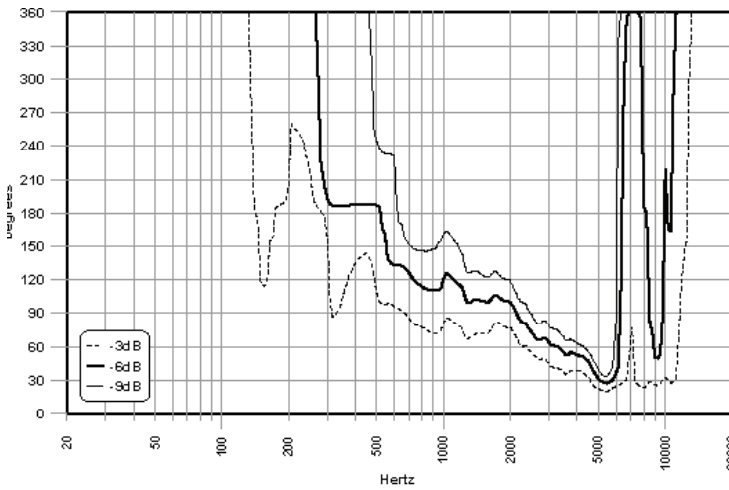
Frequency Response



Phase/Impedance Response



Vertical Beamwidth



Directivity Index (DI)

