



RF31-EZ-T PRODUCT SPECIFICATIONS

System Type	3", full-range, in-wall, raw frame (10 W transformer with 25/70.7/100 V input options)
Impedance (Nominal) ¹	8 Ω
Sensitivity dB @ 2.83 V / 1 M	85 dB
Sensitivity dB @ 1 W / 1 M ²	85 dB
Frequency Response (±3 dB) ³	170 Hz - 14 kHz
Frequency Response (±10 dB) ³	82 Hz - 22 kHz
Max. Program Power ⁴	20 W
Max. Continuous Power RMS ⁵	10 W
Max. Power SPL @ 1 M ⁶	95 dB
Coverage Angle (±6 dB @ 2 kHz)	180°
Coverage Angle (±6 dB @ 10 kHz)	50°
Coverage Angle (Avg. from 2-10 kHz)	120°
Directivity Factor (Q)	4.3 (averaged 100 Hz - 10 kHz) 2.4 (2 kHz)
Directivity Index (DI)	5.4 (averaged 100 Hz - 10 kHz) 3.8 dB (2 kHz)
Transducer: Full-Range Driver	76.1 mm (3") polypropylene driver with butyl rubber surround
Low-Frequency Voice Coil	19 mm 0.75"
Tap Selector	Five-position terminal block input
Enclosure Material	ABS baffle
Grille	ABS bezel with perforated aluminum grille
Inputs	Five-position terminal block
Colors	White (paintable grille)
Depth	53.6 mm 2.1"
Visible Height	120.7 mm 4.8"
Visible Width	120.7 mm 4.8"
Weight	0.9 kg 2 lbs
Packing	One per box
Included Accessories	White snap-on aluminum grille, paint mask, and four stainless steel mounting screws
Optional Accessories	Black replacement grille (GRL-RF31-BK), theft-resistant stainless steel grille (AC-RF31-TRG)
Certifications	CE, RoHS, UL 1480A

Description

The RF31-EZ-T is a premium full-range 3" speaker with a 10 W transformer for applications requiring 25, 70, and 100 V audio solutions. The RF31-EZ-T mounts in most dual-gang junction boxes. The RF31-EZ-T incorporates a low-profile grille with a total visible footprint of 4.75" square for ultra-compact installations. All exposed components in the RF31-EZ-T are completely weatherized for indoor and outdoor applications.

Features

- One 3" full-range high-excursion, weather-resistant, high-fidelity polypropylene driver with butyl rubber surround and neodymium magnet.
- Integrated 10 W transformer.
- Rapid installation into dual-gang junction box using four stainless steel screws (junction box not included).
- Ultra-compact design with a total visible footprint of 4.75" square.
- Weatherized components for indoor/outdoor applications.
- Corrosion-resistant, powder-coated aluminum grille with snap fit attachment.
- UL 1480A listed.
- High-quality white paint finish grille.
- Included accessories: paintable white aluminum snap-on grille, paint mask, and four stainless steel mounting screws
- Optional accessories: black replacement grille (GRL-RF31-BK), theft-resistant stainless steel grille (AC-RF31-TRG)

¹ Impedance listed per IEC 60268-5 with a minimum less than 80% the nominal impedance

² 1 W/1 M sensitivity determined using nominal impedance

³ Frequency response measured in half or full space as dictated by speaker mounting configuration

⁴ Max program power is 3 dB above max continuous power

⁵ Continuous power rating, EIA-426-B test

⁶ Max output based on max continuous power

Transformer Taps

70.7 V	Output	100 V	Output	25 V	Output
10 W	95 dB	10 W	95 dB	1.3 W	86 dB
5 W	92 dB	5 W	92 dB	0.7 W	83.5 dB
2.5 W	89 dB	2.5 W	89 dB	0.4 W	81 dB
1.3 W	86 dB			0.2 W	78 dB

Applications

Engineered for easy installation into industry-standard back boxes, both indoors and out, the RF31-EZ-T is ideal for any installation requiring high-efficiency and clear sound including retail outlets, hospitals, government facilities, houses of worship, restaurants, schools, and more. Weatherized components make the RF31-EZ-T perfect for gardens, parks, pool areas, or even a kitchen back splash. The optional theft-resistant grille (AC-RF31-TRG) makes the RF31-EZ-T ideal for high-risk installations including schools, correctional facilities, transportation facilities, hallways, and any location where the public might contact the speaker.

Patented Technologies

SoundTube Entertainment and the MSE Audio Group constantly develop new technologies which enhance audio product performance. SoundTube Entertainment innovations are protected by multiple U.S. and international patents, which explicitly cover SoundTube dome, enclosure and dispersion technologies. The MSE Audio Group actively defends its patents in order to protect SoundTube resellers and end-users.

Technical Data and Specification Tools

SoundTube Entertainment strives to provide complete and effective technical information and data to dealers, engineers and designers. All data is available from SoundTube Entertainment or at www.soundtube.com.

Technical data and downloads include:

- EASE™ data - 3-D polar plots.
- EASE™ Address - 2-D modeling for distributed systems
- AutoDesk® Revit® software
- Tech Sheets - technical information and architectural specs for system engineers
- SoundTubeSPEC™ - Proprietary speaker placement software

Independent Data Acquisition and Verification

All data for SoundTube speakers is independently collected from and verified by NWAALabs (www.nwaalabs.com) using their proprietary MACH testing system. All data is collected and analyzed according to ASTM, ISO and AES standards using EASERA, TEF and MLSSA. Full balloon data including both phase and magnitude is compiled into a variety of formats including EASE 4.x, GLL and CLF.

Architectural Specifications

The loudspeaker transducer shall consist of one full-range 76.2 mm (3") polypropylene cone with butyl rubber surround and neodymium magnet. The low-frequency voice coil diameter shall be 19 mm (0.75").

Performance specifications for a typical production unit shall be as follows: usable frequency response shall extend from 82 Hz - 22 kHz (± 10 dB). Measured sensitivity (2.83 V input, 1 M) shall be at least 85 dB. The speaker shall have a nominal impedance of 8 Ω . The system shall have an integrated 10 W transformer available with 25, 70.7, 100 V input options. Rated power capacity shall be at least 20 W continuous (RMS) and conform to EIA-426-B. Maximum continuous power output at 1 meter shall be 95 dB.

Installation for the speaker shall be by four stainless steel screws mounted to a new construction (and some retrofit) dual-gang junction box (junction box not included). The external wiring shall be by terminal block connector.

The system shall be for indoor/outdoor applications.

The grille shall be constructed of powder-coated aluminum for lasting performance and affix to the speaker baffle via snap fit. For their theft prevention and durability, an optional stainless steel grille with stainless steel one-way screws is available (A-RF31-TRG).

The maximum depth shall be no more than 53.6 mm (2.11"). The maximum visible dimension shall be no more than 120.7 mm (4.75") in height by 120.7 mm (4.75") in width.

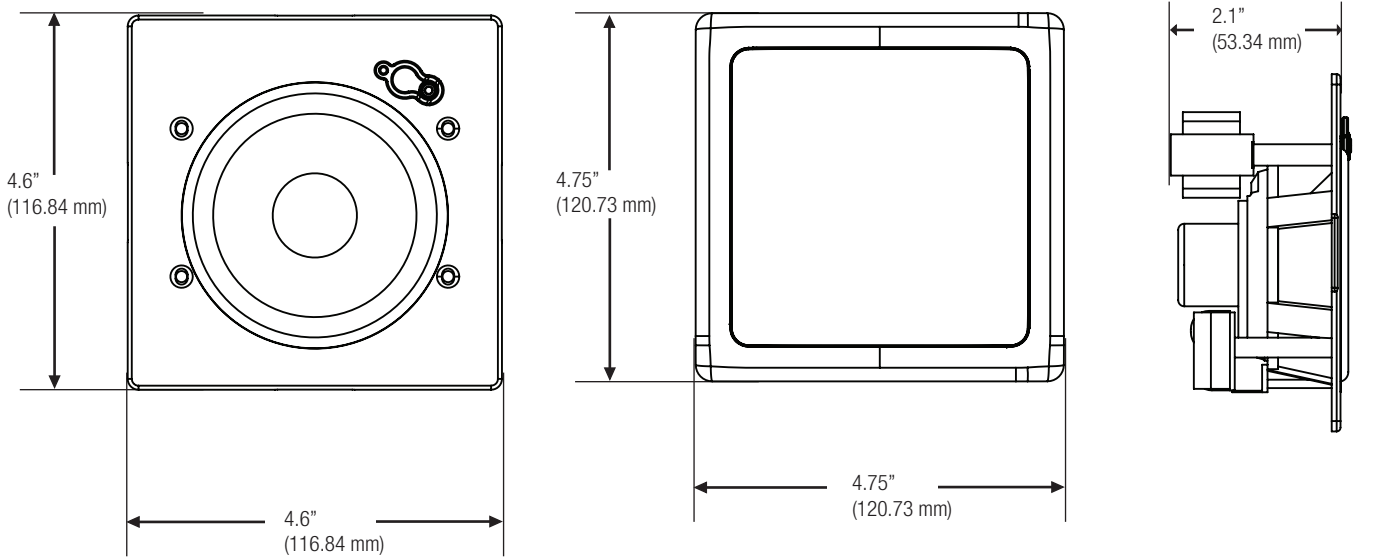
The system shall be the RF31-EZ-T for high-voltage applications.

SoundTube®

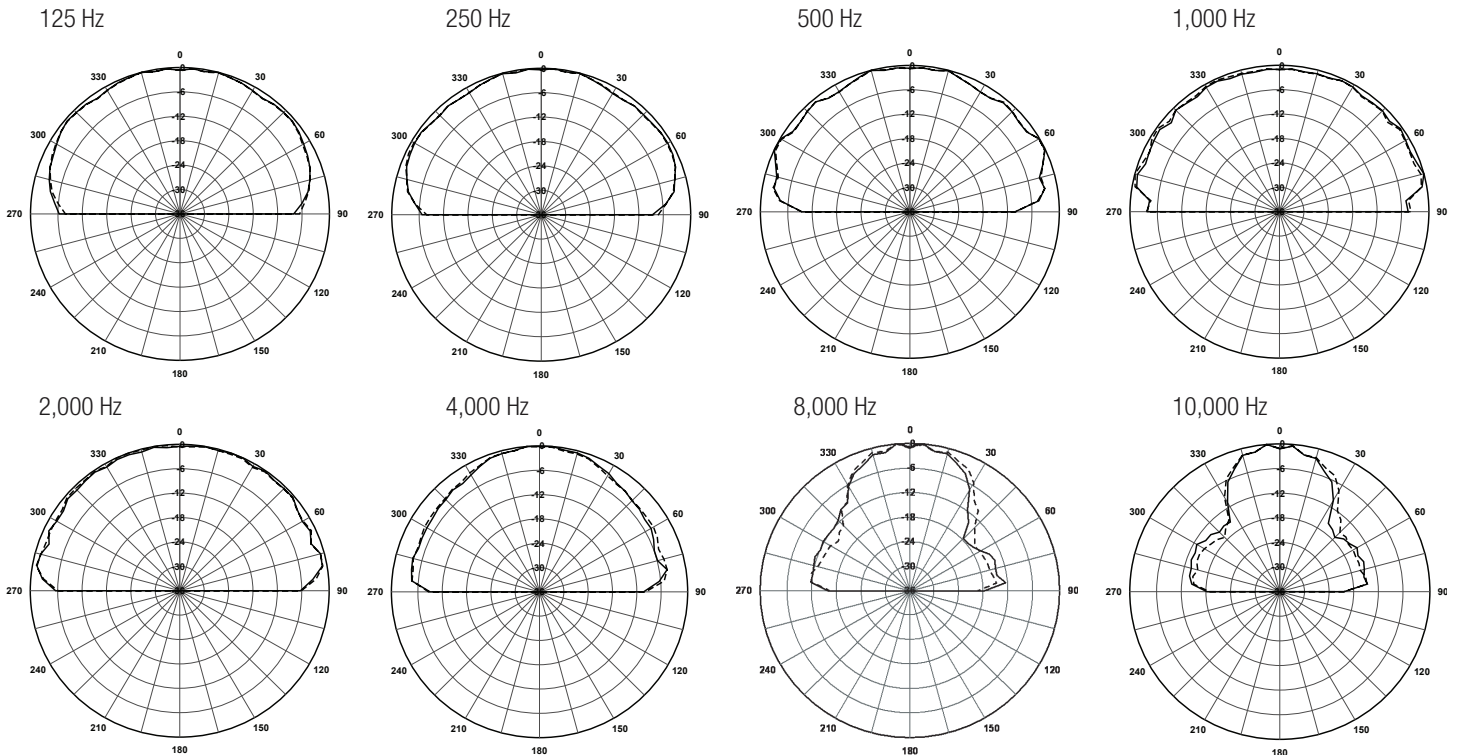
13720 W. 109th St.
Lenexa, KS 66215
Phone: 913.663.5600
Fax: 913.663.3200
Toll Free: 855.663.5600
www.mseaudio.com

All SoundTube speakers come with a 5-year limited warranty and 3-year warranty on all electronics.

Mechanical Drawings

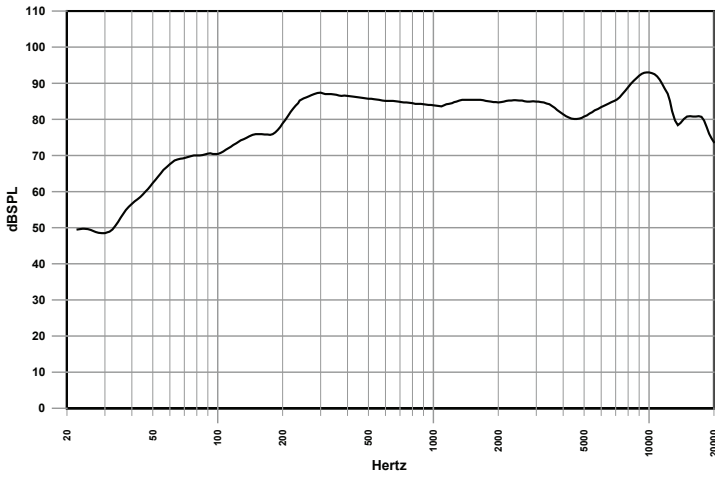


Plots

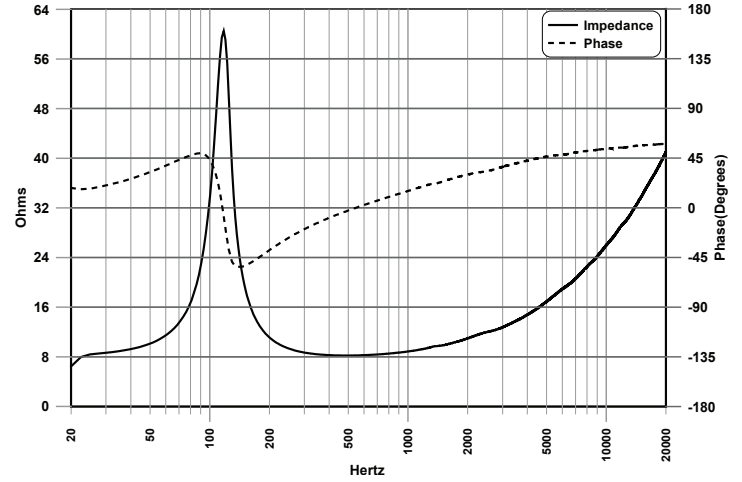


Graphs

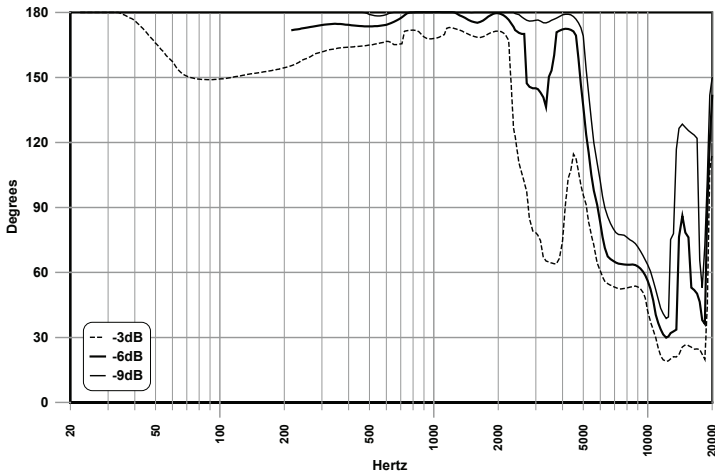
Frequency Response



Phase/Impedance Response



Vertical Beamwidth (± 6 dB)



Directivity Index (DI)

